

Image

SPECIFICATION OF ROLLER BLINDS SYSTEM

Product : TANA Roller Blind
Model : Heavy Duty Pulley Chain w/ Triple Spring-Lock
Code No. : NSC
Country Of Origin : Taiwan
Specification : Refer To Below

THE SYSTEM

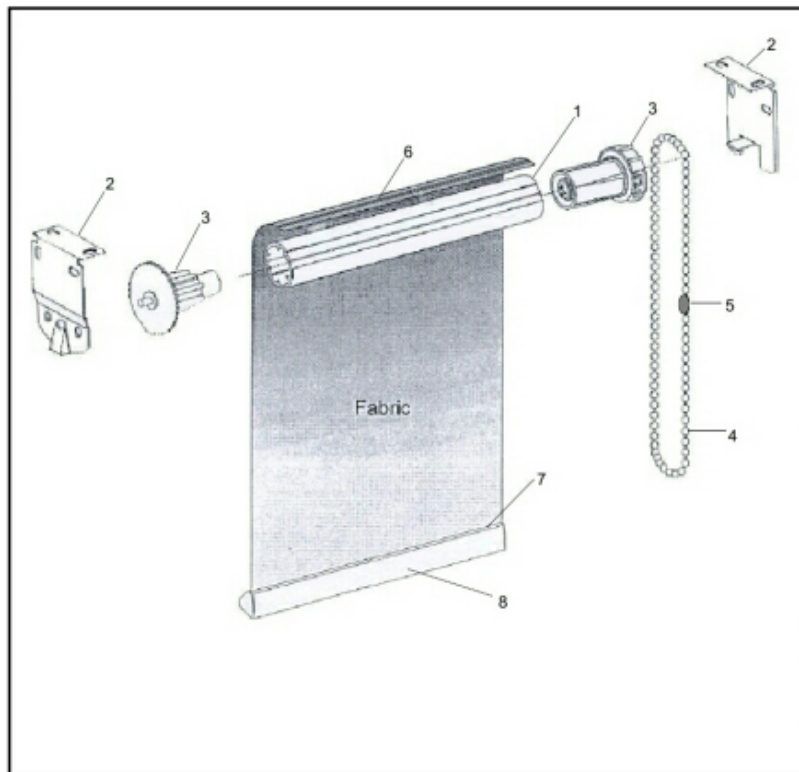
- a) The system comes with a spring motor assisted pulley chain mechanism for ultra light roll up and roll down to any desired height position.
- b) Control Mechanism uses a TRIPLE SPIRAL WOUND SPRING which locks the roller in any position as soon as the control chain is released.
- c) Roller tube equip with clip in slot for easier screen fix-up, to prevent fabric drop by over-turn and easier future fabric cleaning or replacement.
- d) Bottom weight bar provide the slot for easy fabric slide out in the future for cleaning and replacement.

TECHNICAL DATA

- > Roller Tube : 50mmDia x 2.0mm thick Aluminium extrusion.
- > Side Bracket : 2.0mm thick made of galvanized steel with cover.
- > Bottom Weight Bar : 20mmDia x 1.2mm thick Aluminium extrusion with powder coated.

TANA ROLLER BLIND

Model : Heavy Duty Pulley Chain w/ Triple Spring-Lock
Code No. : NSC



CAPACITY :

Max. Width : 3.0m
Max. Height : 4.0m
Max. Weight : ±7kg
Fabrics : Heavy Fabrics (550g)

- | | |
|-----------------------------|----------------------|
| 1. Aluminum Roller Tube 50/ | 5. Chain Connector |
| 2. Easylock Side Brackets | 6. Screen Holder 1 |
| 3. Easylock Side Winder | 7. Screen Holder 2 |
| 4. Operation Chain | 8. Bottom Weight Bar |

Last modified: 21:45